

- WALL/KILN SPACING:** 12" [30.5cm] SPACING BETWEEN SIDES OF KILN AND WALLS OR OTHER OBJECTS. 18" [45.7cm] IS RECOMMENDED. LEAVE AT LEAST 18" [45.7cm] BETWEEN TWO KILNS.
- AMBIENT VENTILATION:** SEE CHART BELOW FOR RATINGS. TO CALCULATE REQUIREMENTS, SEE hotkilns.com/calculate-kiln-room-ventilation.
- KILN VENTILATION:** L&L VENT-SURE KILN VENT RECOMMENDED FOR SAFETY AND LONGER ELEMENT LIFE. OPTIONAL CONTROL ALLOWS VENT TO BE TURNED ON AND OFF WITH CONTROL.

- OTHER INFO:** REFER TO INSTALLATION INSTRUCTIONS AND CAUTIONS INSTRUCTIONS FOR OTHER REQUIREMENTS AND SAFETY INFORMATION. REFER TO WIRING DIAGRAM FOR ELECTRICAL HOOKUP INFORMATION.
- MAX LOAD WEIGHT:** SEE hotkilns.com/load-weight
- WEIGHT OF KILN:** 1485 LBS, 674 KG

CLEARANCES, LAYOUT & INSTALLATION

D

D

C

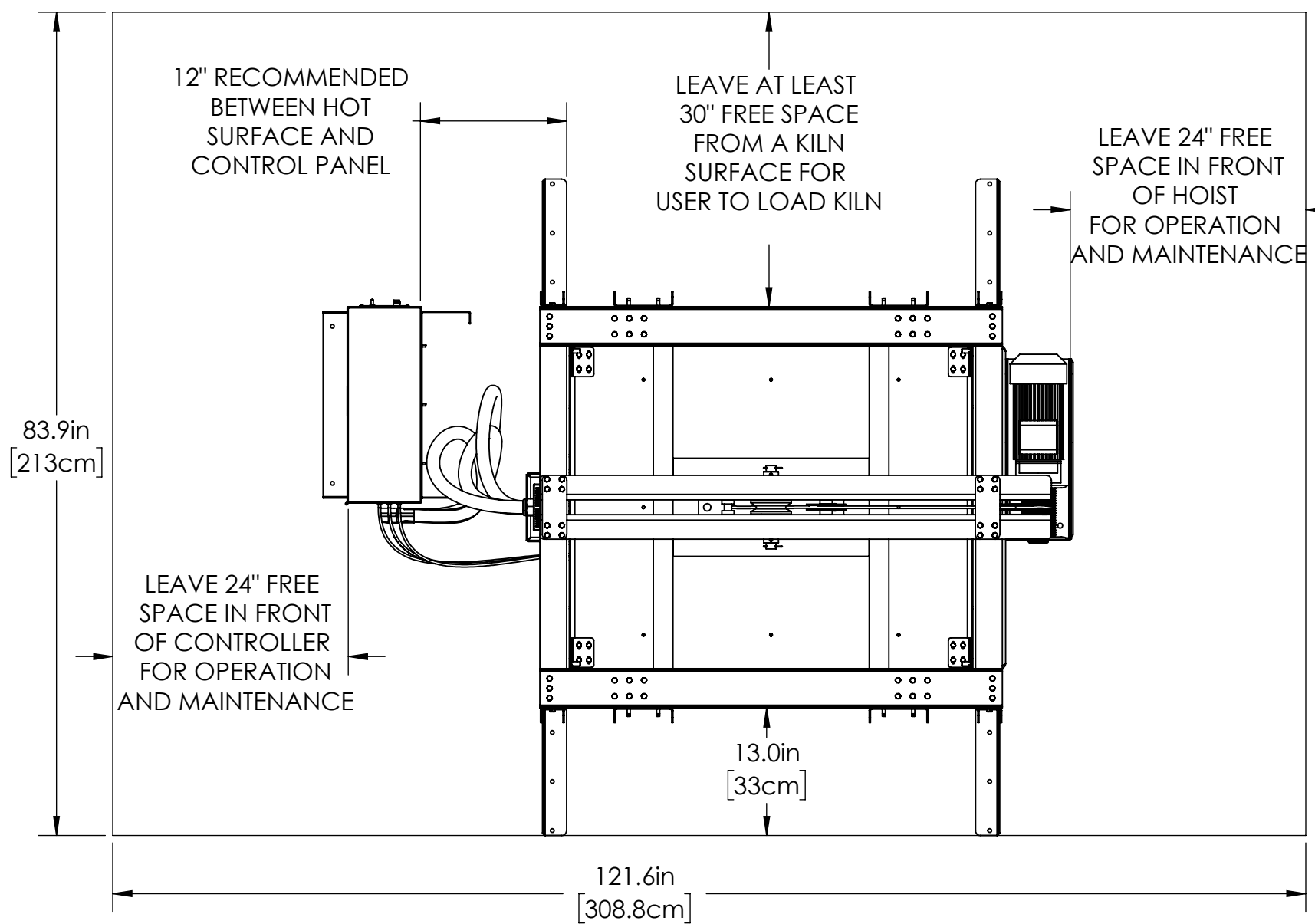
C

B

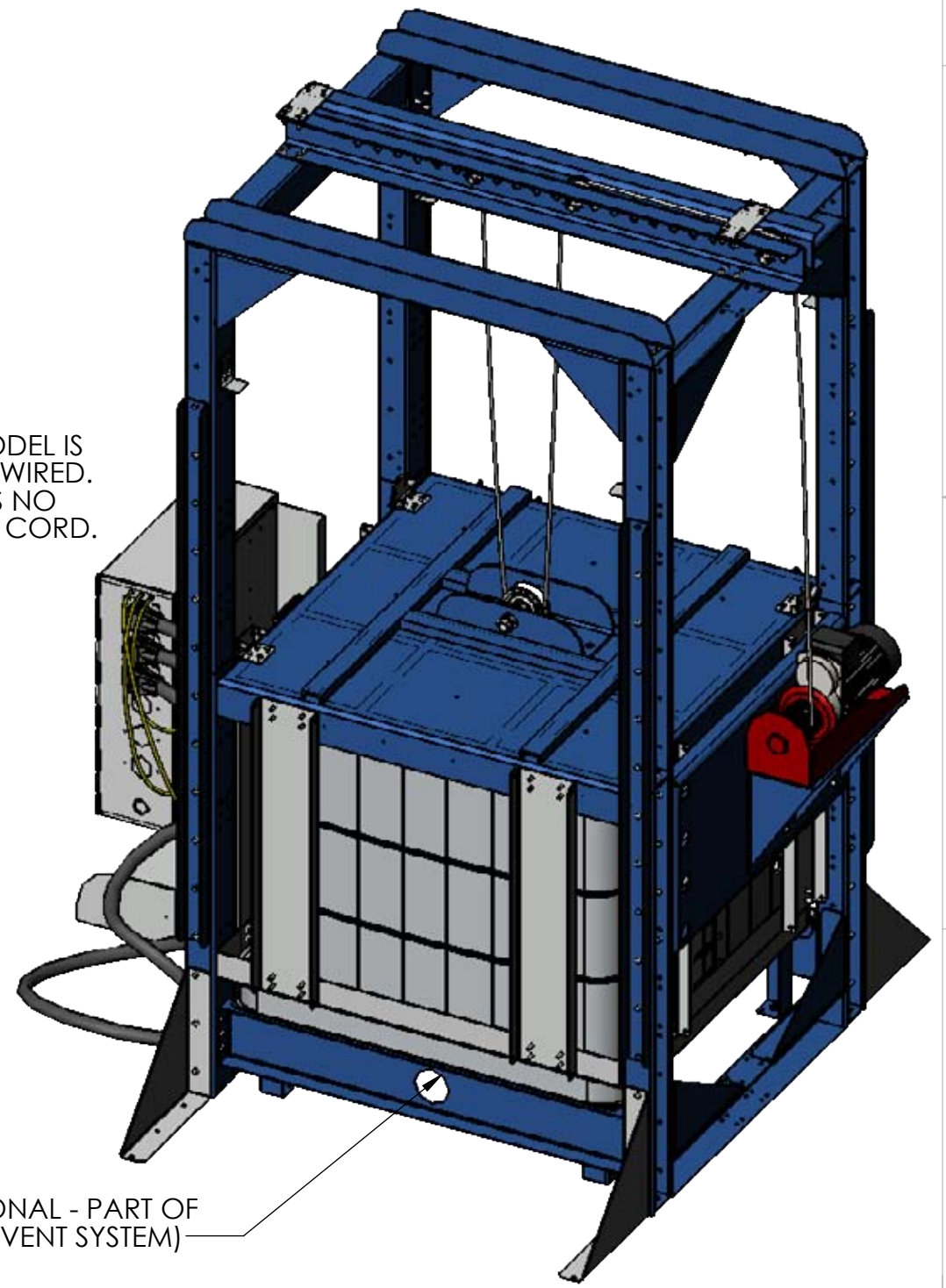
B

A

A



THIS MODEL IS DIRECT WIRED. THERE IS NO POWER CORD.



BTUS/ KILOJOULES PER HOUR NEEDED TO BE VENTED WITH AMBIENT ROOM VENTILATION (THIS IS IN ADDITION TO KILN VENTING):

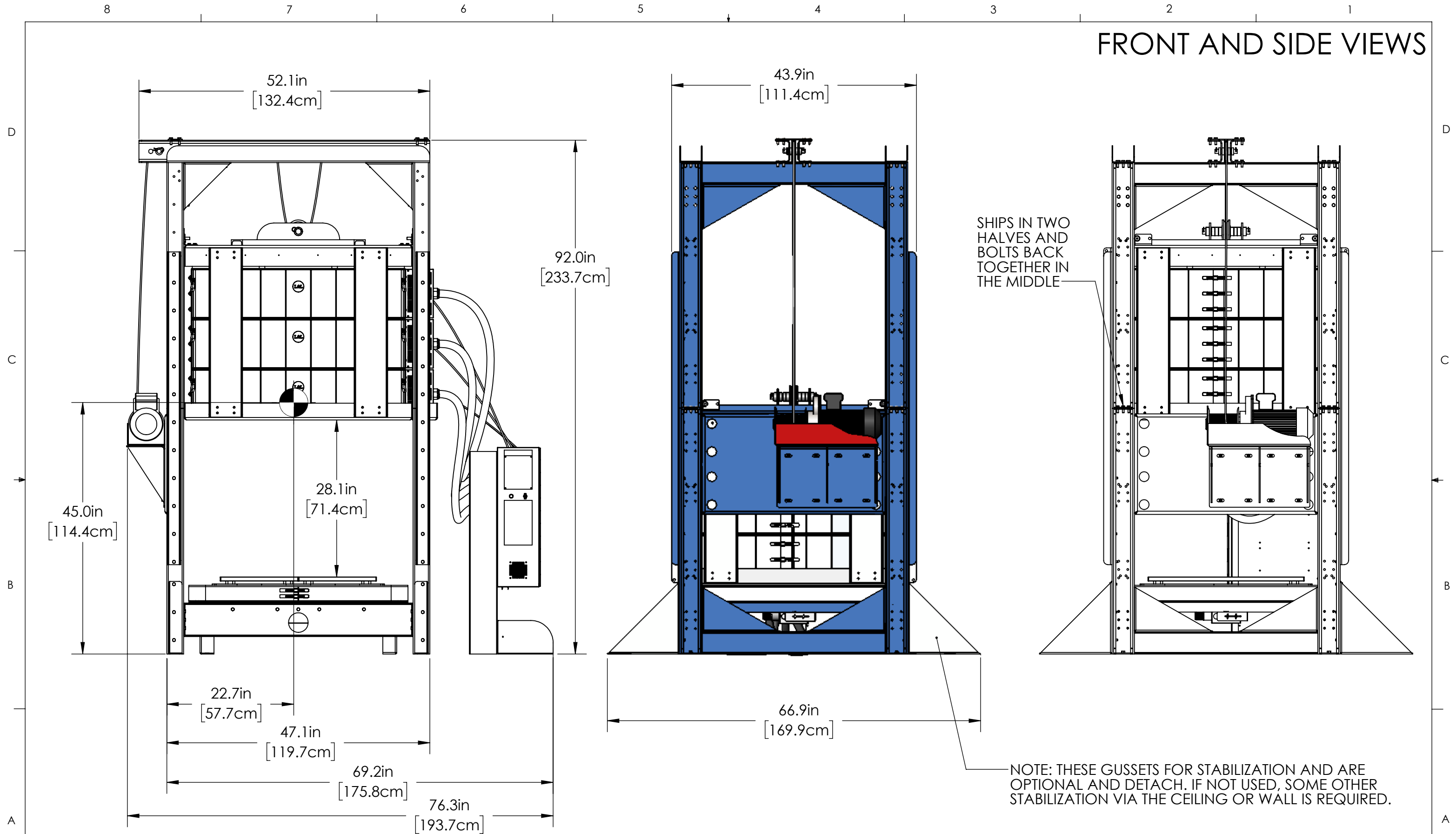
AT TEMP F	BTUS	AT TEMP C	KILOJOULES
1800F	20457	980C	21583
2000F	24169	1095C	25500
2232F	28877	1222C	30467
2350F	31439	1285C	33170

THE INFORMATION CONTAINED IN THIS DRAWING IS THE SOLE PROPERTY OF L&L KILN MFG INC. ANY REPRODUCTION IN PART OR AS A WHOLE WITHOUT THE WRITTEN PERMISSION OF L&L KILN MFG INC. IS PROHIBITED.

MADE FROM NEW DRAWN BY DSL DATE 05/01/20 SCALE 1:15 TITLE X3227-BL (3" BRICK) DAVINCI BELL-LIFT GENERAL DIMENSIONS

505 SHARPTOWN RD SWEDESBORO NJ 08085 PH: (856) 294-0077 FAX: (856) 294-0070
L&L Kilns
 hotkilns.com
 REV 0 SHEET OF 1/4 DRAWING NO. 300-001-43

FRONT AND SIDE VIEWS



CENTER OF MASS IS SHOWN WITH ROUND CROSS SYMBOLS. KILN COULD TIP OVER IF CENTER OF MASS BECOMES VERTICAL ABOVE ONE EDGE OF KILN BASE. THIS COULD CAUSE SERIOUS INJURY. SOME FORM OF STABILIZATION IS REQUIRED.

THE INFORMATION CONTAINED IN THIS DRAWING IS THE SOLE PROPERTY OF L&L KILN MFG INC. ANY REPRODUCTION IN PART OR AS A WHOLE WITHOUT THE WRITTEN PERMISSION OF L&L KILN MFG INC. IS PROHIBITED.

MADE FROM
NEW

DRAWN BY
DSL

DATE
05/01/20

SCALE
1:16

TITLE
X3227-BL (3" BRICK) DAVINCI BELL-LIFT GENERAL DIMENSIONS

L&L Kilns
hotkilns.com

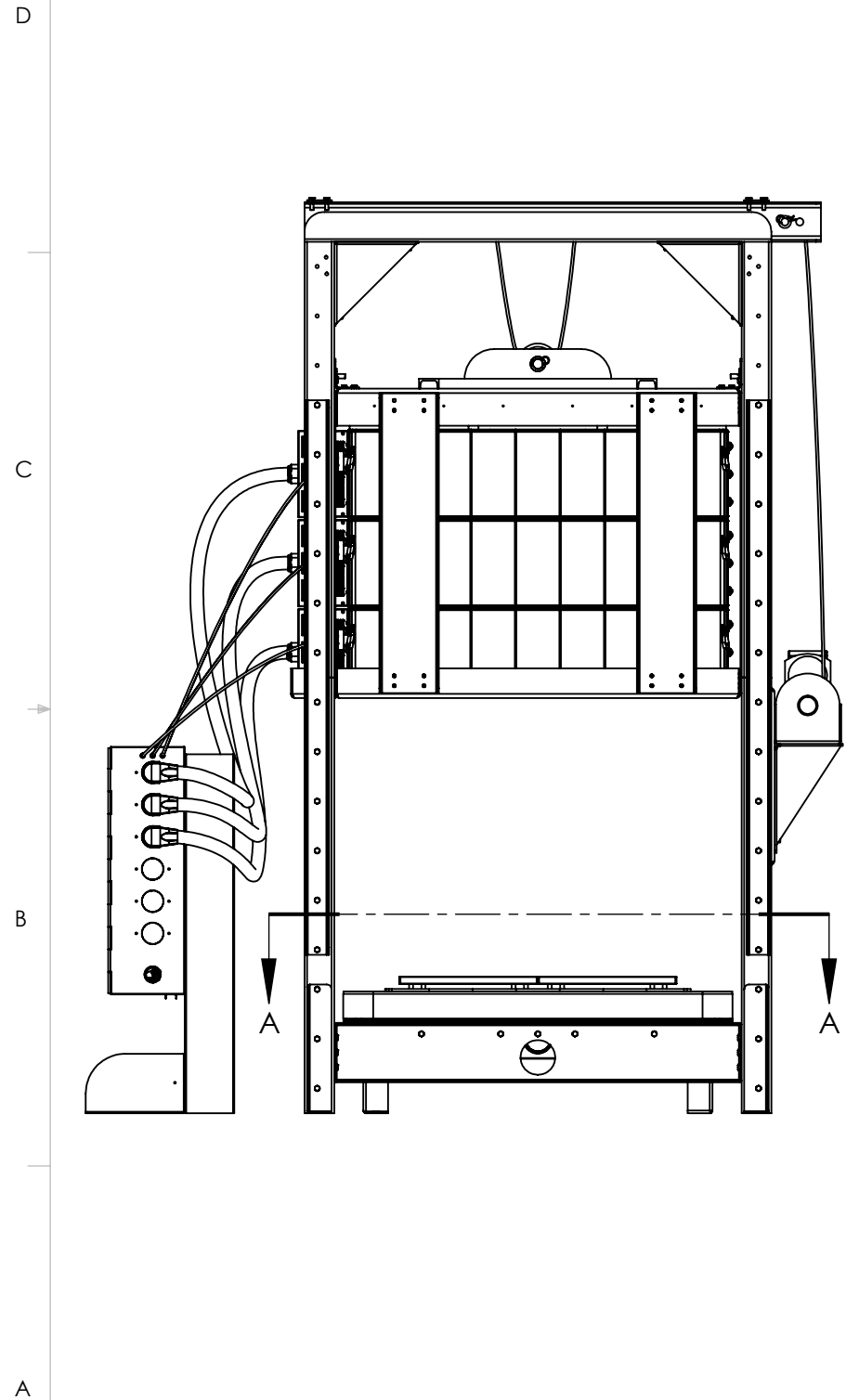
505 SHARPTOWN RD
SWEDESBORO NJ 08085
PH: (856) 294-0077
FAX: (856) 294-0070

REV
0

SHEET OF
2/4

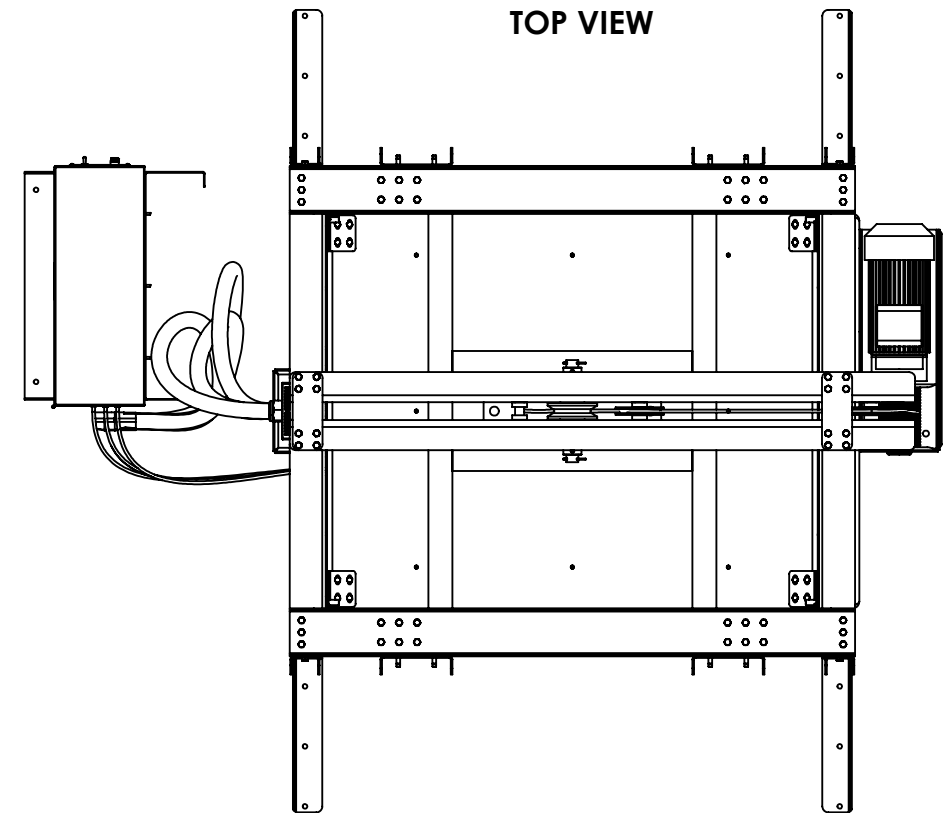
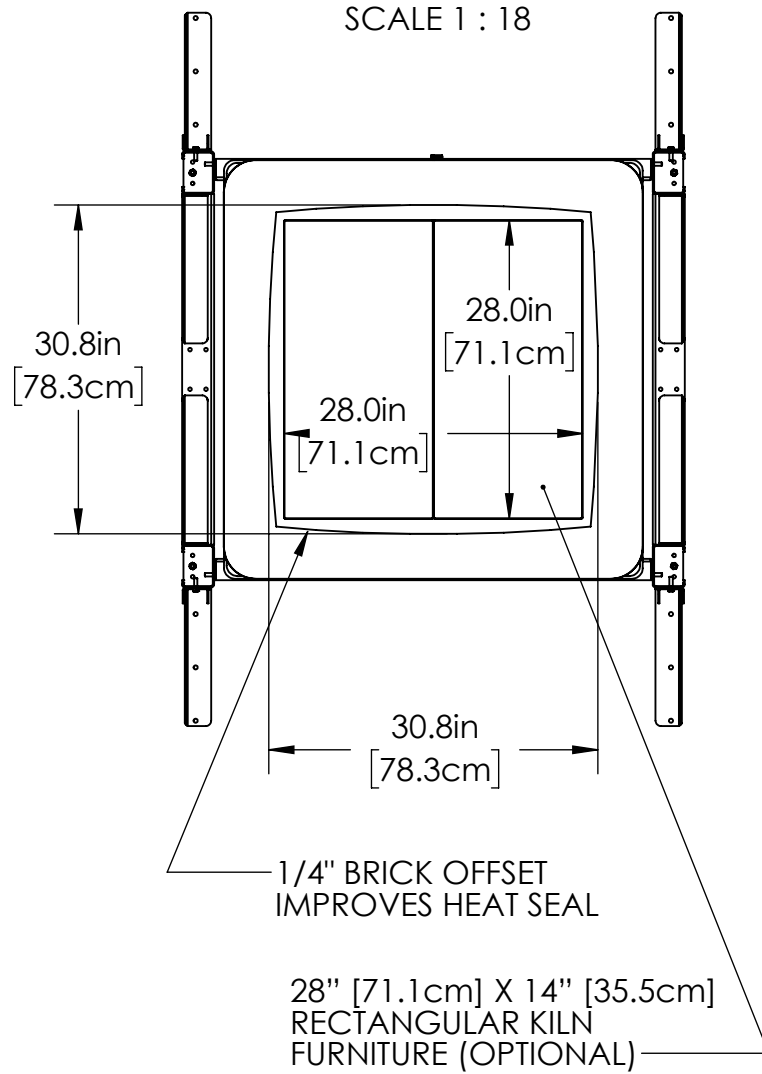
DRAWING NO.
300-001-43

INTERIOR SECTION VIEW, TOP & BOTTOM VIEWS

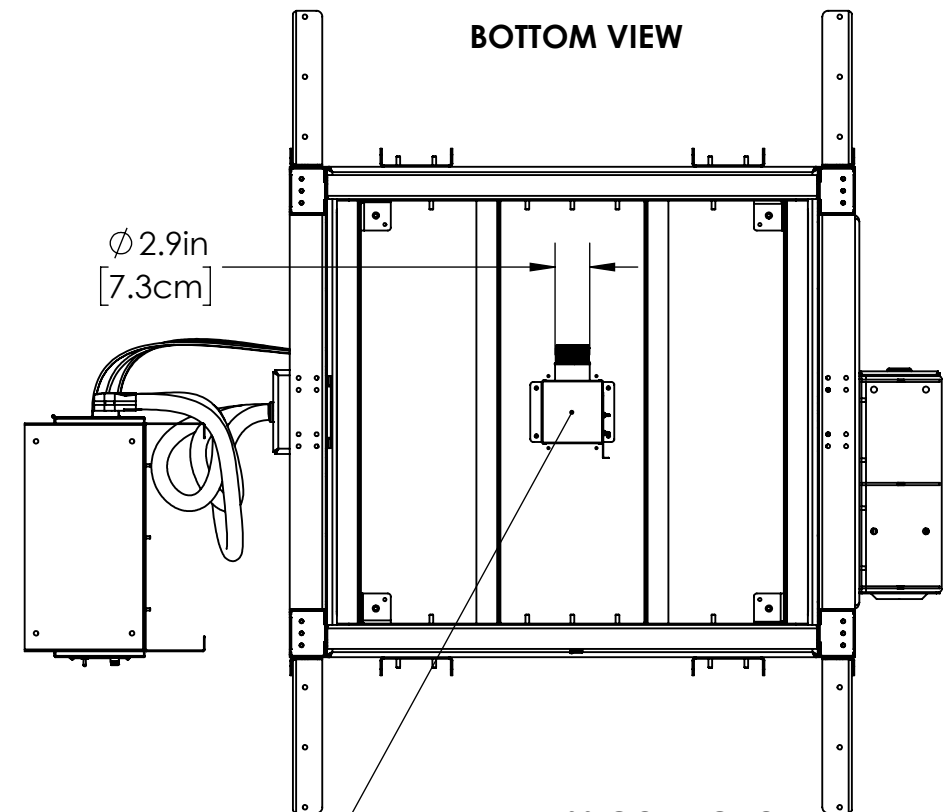


VIEW OF BRICK BOTTOM, FROM ABOVE

SECTION A-A
SCALE 1 : 18



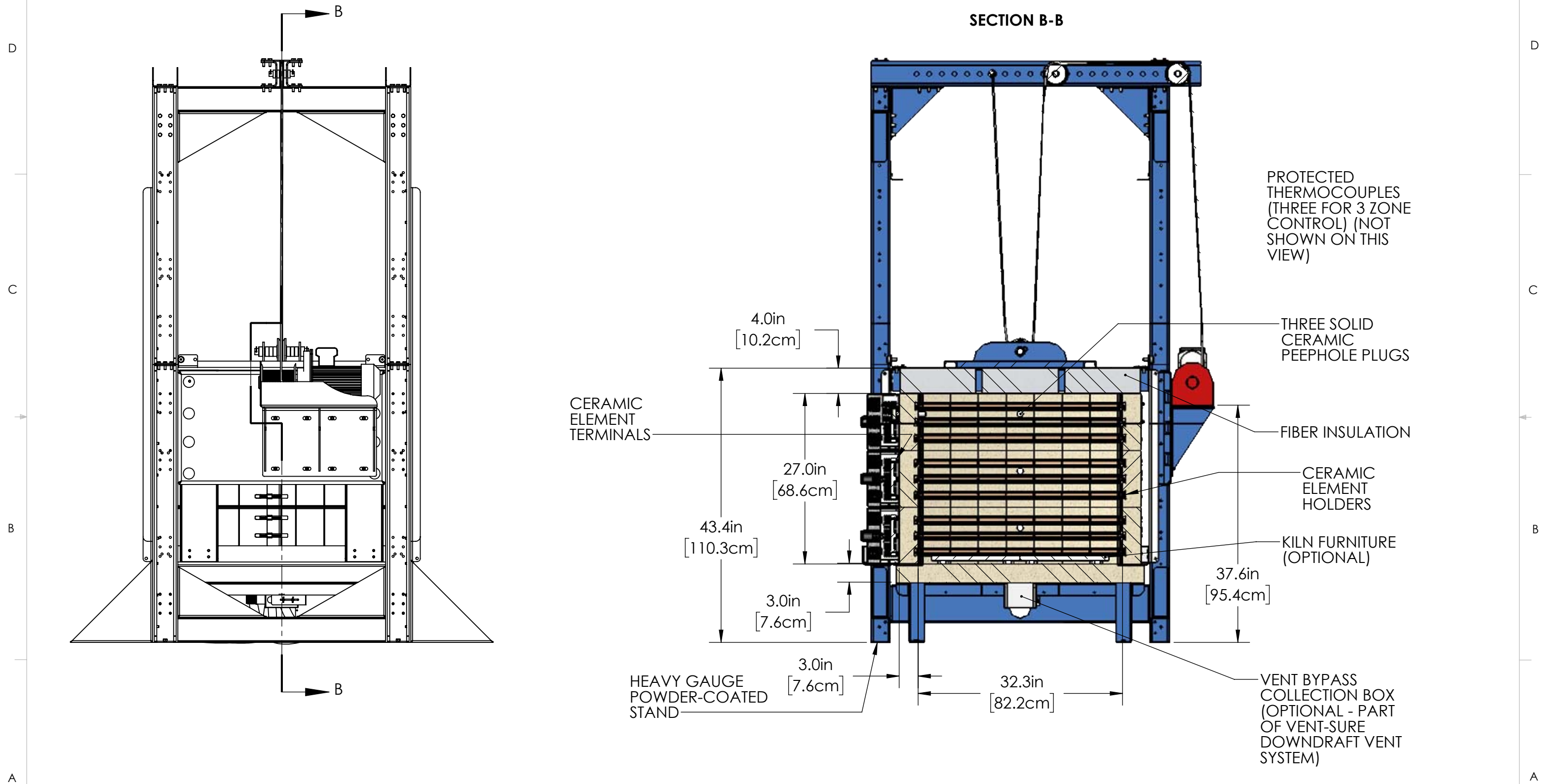
TOP VIEW



BOTTOM VIEW

VENT BYPASS COLLECTION
BOX (OPTIONAL - PART OF
VENT-SURE DOWNDRAFT
VENT SYSTEM)

INTERIOR SECTION VIEW



OPTIONAL FURNITURE KIT: (6) 28" [71.1cm] X 14" [35.5cm] RECTANGULAR SHELVES, (6) EACH 1/2", 1", 2", 4", 6" & 8" SQUARE POSTS

THE INFORMATION CONTAINED IN THIS DRAWING IS THE SOLE PROPERTY OF L&L KILN MFG INC. ANY REPRODUCTION IN PART OR AS A WHOLE WITHOUT THE WRITTEN PERMISSION OF L&L KILN MFG INC. IS PROHIBITED.

MADE FROM
NEW

DRAWN BY
DSL

DATE
05/01/20

SCALE
1:15

TITLE
X3227-BL (3" BRICK) DAVINCI BELL-LIFT GENERAL DIMENSIONS

L&L Kilns
hotkilns.com

505 SHARPTOWN RD
SWEDESBORO NJ 08085
PH: (856) 294-0077
FAX: (856) 294-0070

REV
0

SHEET OF
4/4

DRAWING NO.
300-001-43