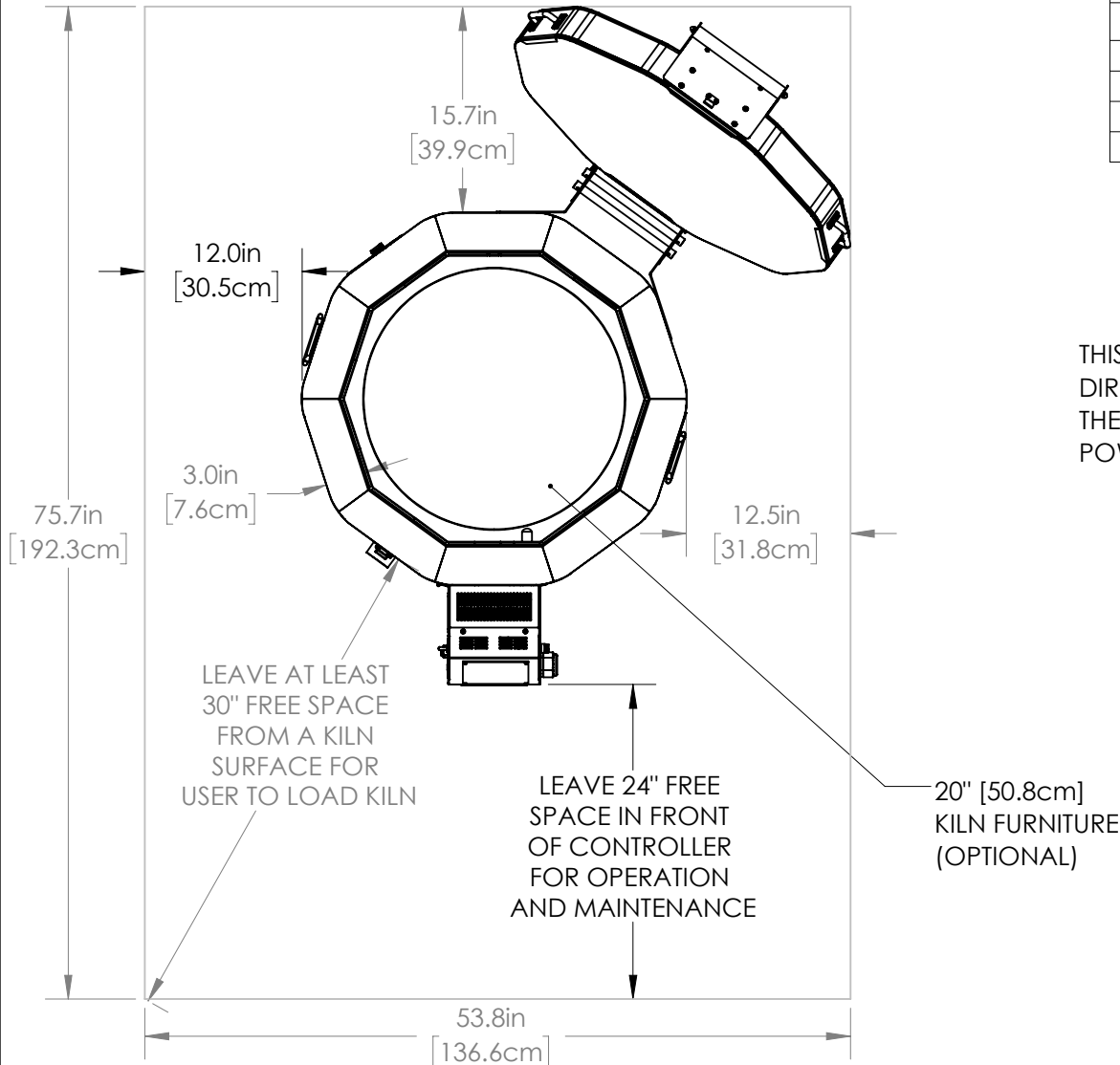


- WALL/KILN SPACING:** 12" [30.5cm] SPACING BETWEEN SIDES OF KILN AND WALLS OR OTHER OBJECTS. 18" [45.7cm] IS RECOMMENDED. LEAVE AT LEAST 18" [45.7cm] BETWEEN TWO KILNS.
- AMBIENT VENTILATION:** SEE CHART TO RIGHT FOR RATINGS. TO CALCULATE REQUIREMENTS, SEE [hotkilns.com/calculate-kiln-room-ventilation](http://hotkilns.com/calculate-kiln-room-ventilation).
- KILN VENTILATION:** L&L VENT-SURE KILN VENT RECOMMENDED FOR SAFETY AND LONGER ELEMENT LIFE. OPTIONAL CONTROL ALLOWS VENT TO BE TURNED ON AND OFF WITH CONTROL.

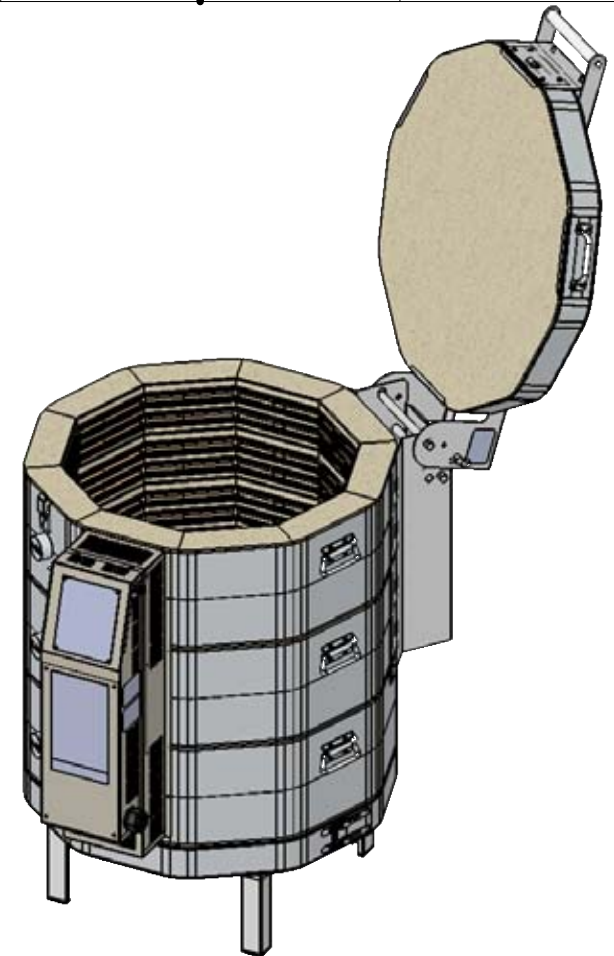
- OTHER INFO:** REFER TO INSTALLATION INSTRUCTIONS AND CAUTIONS INSTRUCTIONS FOR OTHER REQUIREMENTS AND SAFETY INFORMATION. REFER TO WIRING DIAGRAM FOR ELECTRICAL HOOKUP INFORMATION.
- MAX LOAD WEIGHT:** SEE [hotkilns.com/load-weight](http://hotkilns.com/load-weight).
- WEIGHT OF KILN:** 335 LBS, 152 KG

BTUS/ KILOJOULES PER HOUR NEEDED TO BE VENTED WITH AMBIENT ROOM VENTILATION (THIS IS IN ADDITION TO KILN VENTING):

AT TEMP F	BTUS	AT TEMP C	KILOJOULES
1800F	11667	980C	12309
2000F	13639	1095C	14390
2232F	16104	1222C	16991
2350F	17430	1285C	18390



THIS MODEL IS DIRECT WIRED. THERE IS NO POWER CORD.

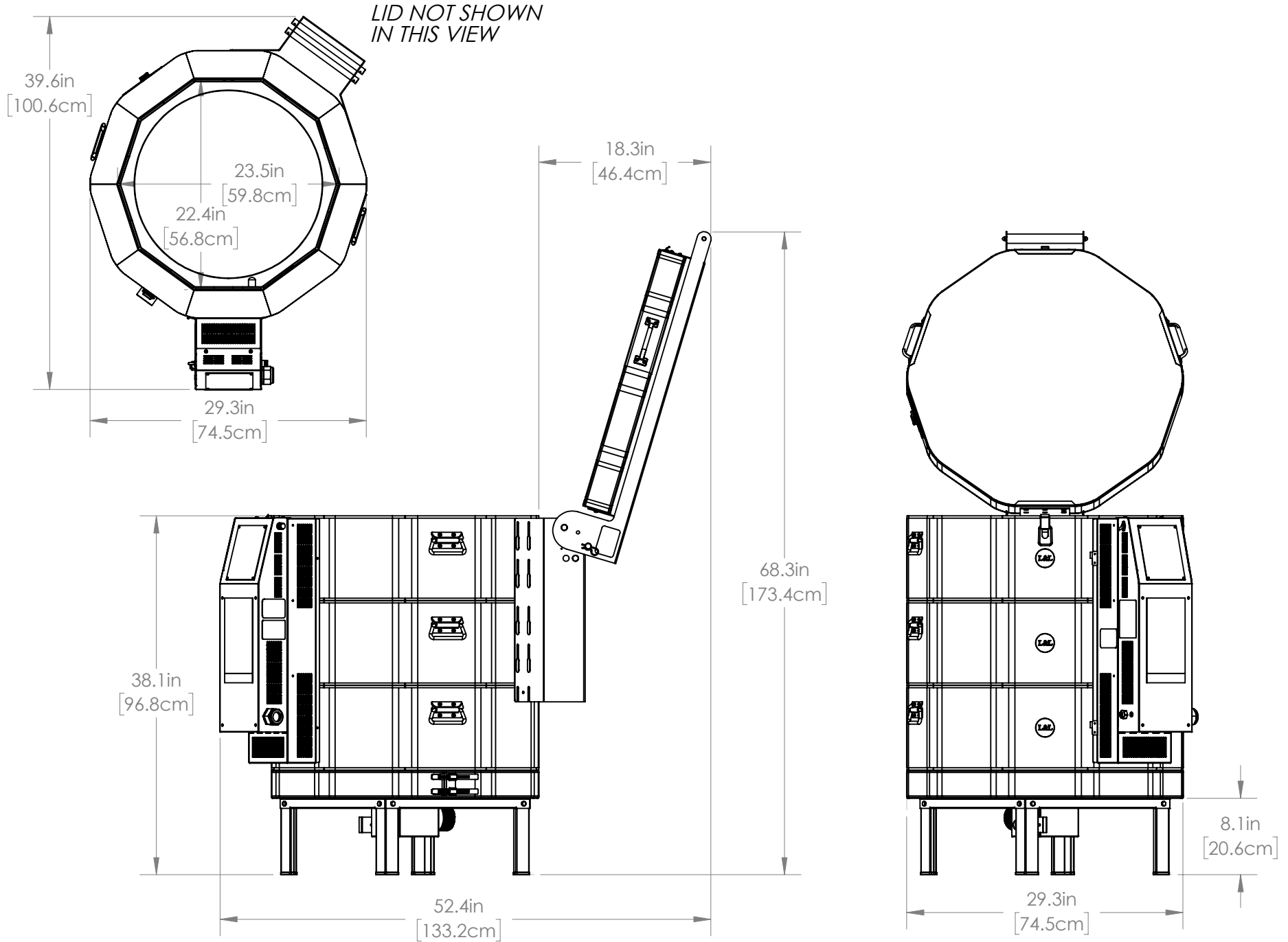


MADE FROM NEW  
 DRAWN BY SJL  
 DATE 09/01/19  
 SCALE 1:14  
 TITLE eQ2327-3 (3" BRICK) GENERAL DIMENSIONS



505 SHARPTOWN RD  
 SWEDESBORO NJ 08085  
 PH: (856) 294-0077  
 FAX: (856) 294-0070

REV 0  
 SHEET OF 1/3  
 DRAWING NO. 230-000-50-3



MADE FROM NEW	DRAWN BY SJL	DATE 09/01/19	SCALE 1:14	TITLE eQ2327-3 (3" BRICK) GENERAL DIMENSIONS	<b>LKilns</b> hotkilns.com	505 SHARPTOWN RD SWEDESBORO NJ 08085 PH: (856) 294-0077 FAX: (856) 294-0070	REV 0	SHEET OF 2/3	DRAWING NO. 230-000-50-3
------------------	-----------------	------------------	---------------	---	-------------------------------	--	----------	-----------------	-----------------------------

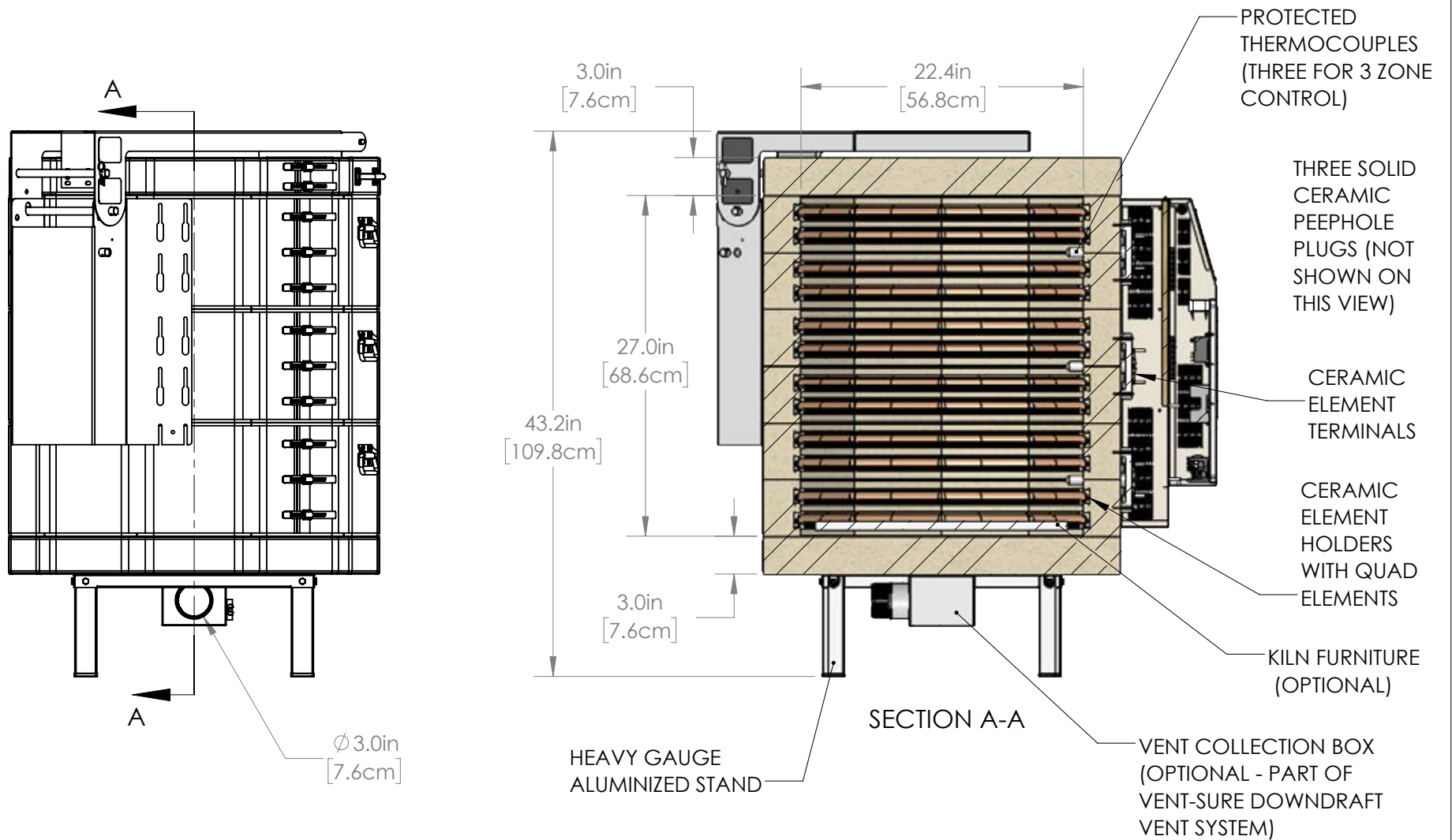
5

4

3

2

1



OPTIONAL FURNITURE KIT: (2) 20" [50.8cm] FULL ROUND SHELVES, (4) HALF ROUND SHELVES, SIX EACH 1/2", 1", 2", 4", 6" & 8" SQUARE POSTS

MADE FROM NEW	DRAWN BY SJL	DATE 09/01/19	SCALE 1:12	TITLE eQ2327-3 (3" BRICK) GENERAL DIMENSIONS	<b>LKilns</b> hotkilns.com	505 SHARPTOWN RD SWEDESBORO NJ 08085 PH: (856) 294-0077 FAX: (856) 294-0070	REV <b>0</b>	SHEET OF 3/3	DRAWING NO. 230-000-50-3
------------------	-----------------	------------------	---------------	---	-------------------------------	--	-----------------	-----------------	-----------------------------